

Sunray 490

Portable Message Sign Series



ABOUT OUR MESSAGE SIGN

The Sunray 490 is a full matrix manual lift sign capable of displaying graphic symbols and multiple font sizes through the color touch screen.

Dynamic sizing automatically fits your message as you type and message scheduling allows you to select the day, week and time that chosen messages should display. The mid-size sign fits tight spaces but has excellent legibility.

Add FleetFinder and you can visually locate your fleet of signs and change messages from almost anywhere.

Features

- ✓ AllInGaP LED technology
- ✓ Numerous pre-programmed messages, MUTCD messages, and operator-created messages
- ✓ Environmentally friendly and cost effective
- ✓ Reliable and easy to operate
- ✓ Meet or exceed all state and federal highway MUTCD traffic safety specifications
- ✓ Replace characters without the need of tools
- ✓ 5 LEDs per pixel
- ✓ Ergonomically designed control box

Options

-  **REMOTE OPERATION**
Standard cellular modem or FleetFinder™
-  **SPEED DETECTION**
-  **COMBO HITCH**
With 8" to 18" adjustment
-  **HIDDEN SHACKLE LOCKS**
For securing batteries
-  **WHEEL LOCKS**
-  **ELECTRO HYDRAULIC LIFT**
-  **GPS MODULE**



Trailer Construction

Width across fenders	78"
Drawbar	2 1/2" x 2 1/2" x .187" wall steel tube / removable
Fenders	formed steel replaceable
Frame	3" x 3" x 1/8" wall tubing
Length w/ drawbar	136"
Length w/o drawbar	106"
Height sign up	149"
Height sign down	104"
Hitch	2" ball class II 3500 lb capacity
Jacks	(4) swing, (1) swing type w/ caster
Tire size	ST205/75-D15 load C
Weight	1600 lbs
Lift mechanism	2,500 lb with double disc brake. 1/4" diameter steel rope cable rated 4,400 lb. Electro-hydraulic optional

Batteries and Solar Collectors

Batteries	6v or 12v deep cycle with varying options
Battery charger	15A to 30A fanned cooled, external plug, (45A optional)
Battery enclosure	Lockable, ventilated, acid resistant
Solar collector	Crystalline silicon, 160w

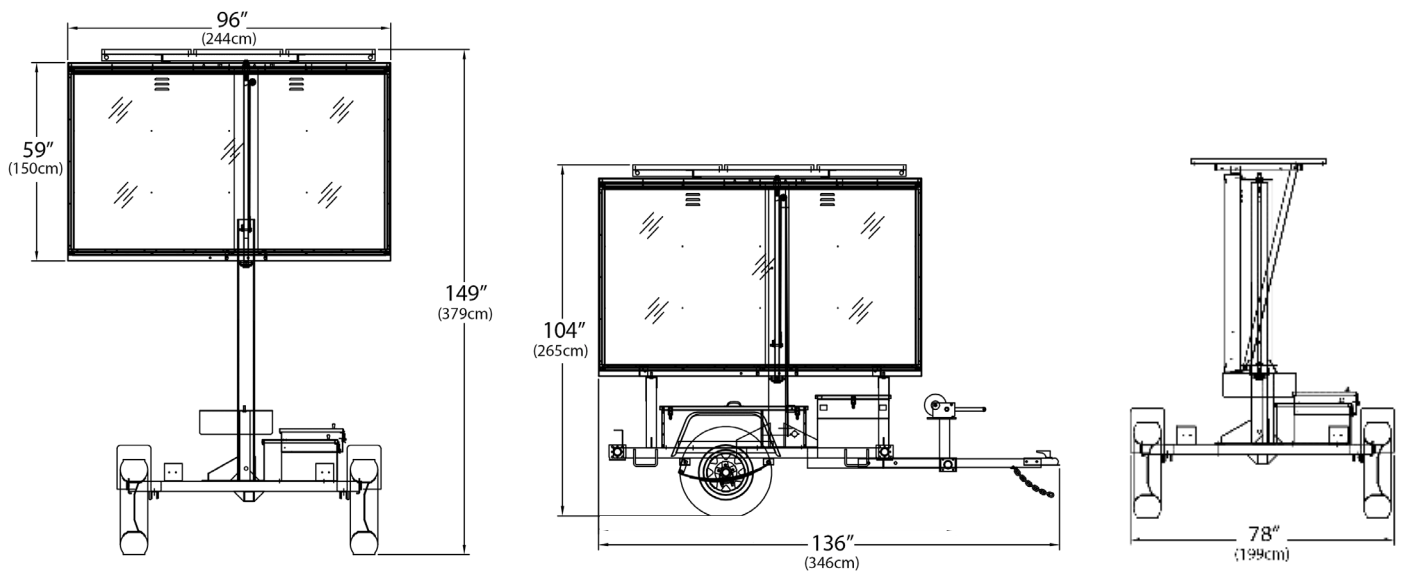
Display

Pixel matrix SR490	28 rows by 48
Character size	6 fonts from 11" to 46", 3 lines of 12 characters
LEDs	590 nm amber, 5 per pixel
Brightness	Manual/automatic 31 levels
Photo Sensor	Shielded from extraneous light
Enclosure	Aluminum, finished powder coated black
Sign dimensions	59" high by 96" wide
Characters	Remove without need for tools
Window	1/8" clear polycarbonate anti-glare is optional

Control

Type	Proprietary embedded, fully NTCIP compliant
Dimming	Manual or automatic
LCD	4 lines, 40 characters per line, backlit
Remote Comm	Cellular capable
Messages	50 user programmable (4 pages each), 300 pre-programmed including MUTCD symbols and arrows
Message scheduling	36 events

Dimensions



Specifications subject to change any time without notice. Copyright 2023 National Signal, Inc. All rights reserved. Printed in the United States.

