

Hybrid Solar Light Tower

Light Tower Series



ABOUT OUR TOWER

The **Sunray™ LTS Hybrid Solar Light Tower** was designed to operate as a diesel/solar tower in bright mode and as a solar tower in low mode. This combination provides 300W of LED light for demanding applications where bright light is required. The automatic generator periodically cycles on to recharge the batteries when they are depleted. In areas where less light is required, the 100W setting allows the tower to function mostly from available sunlight. With the backup generator, your tower will always be operational despite geographic conditions.

Proprietary engineered LED drivers provide efficient power to the LED lamps with three brightness settings from which to select. This gives the user complete control over brightness vs. battery performance. Select from 100W, 200W, or 300W settings and up to 188,000 lumens. These high performance light fixtures are designed to maximize light utility with very little "lost" light. To maximize battery life, the control is equipped with several selections like automatic on/off at dusk and dawn and settable run times from 3 to 12 hours. To maximize charge time, we made the solar array tiltable to 40°.

Easy-to-read meters let you quickly determine the best orientation to collect sunlight. A built-in charger with an external charge receptacle makes it simple to charge the maintenance-free battery bank if needed.

Features

- ✓ Solar and engine charging with hybrid technology to decrease engine emissions and maximize output
- ✓ Long engine run time with self-starting and stopping capabilities
- ✓ Advanced engine control
- ✓ 100W, 200W and 300W settings
- ✓ Heavy duty design
- ✓ Simple hourly and daily timer

Applications



TRAFFIC

Can be easily maneuvered, set up and controlled to work effectively in most traffic settings



CONSTRUCTION

A fitting option for construction conditions where reliable lighting sources are needed



MINING

Works well, both in function and sustainability, in many mining scenarios



UTILITIES

Multipurpose use for utility organizations that rely on functional, sturdy equipment



SECURITY

Ideal for temporary locations with either poor, substandard or no lighting



Mast

Mast height up	20'
Mast down	10'
Mast base	5" square, 3/16" wall, easy glide, with welded turn handles
Mast type	Three stage with light stored vertically, 360° rotation
Mast cable	1/4", 3/16" wire rope, 4,200 breaking strength
Winch type	2500 lb, double disc, self-braking, electric (optional)

Power Source

Collectors	Polycrystalline, nested in steel frame, anti-theft fasteners
Output	24v
Meters	Momentary, LED type, one for each set of collector
Collector tilt	0° to 40° via a manual crank
Charger	30A, 24v, fan cooled, external plug
Batteries	AGM sealed, 12v wired for 24v
Battery controller	20A, PWM type
Photocell	Manual or dusk to dawn operation
Timer	3, 6, 9 and 12 hours plus Monday through Sunday
Generator	Kohler, diesel, 3600 rpm, electric start, auto-start, 25 gallon tank, two 110vac convenience outlets, direct drive generator

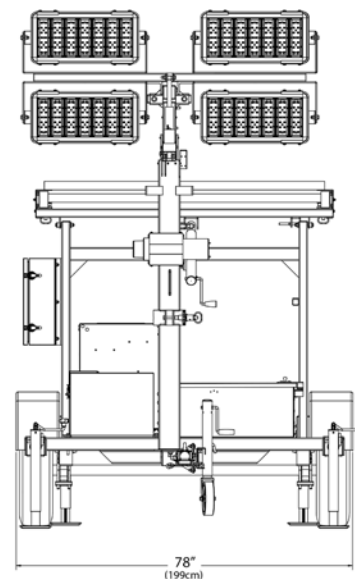
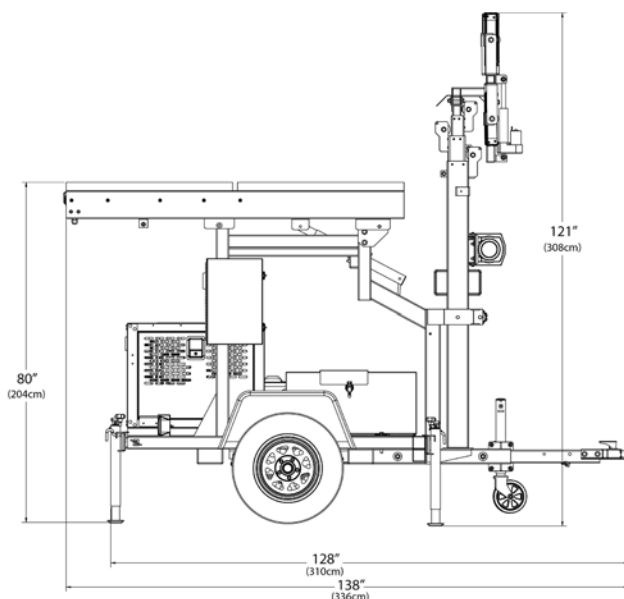
Lamps

Type	High intensity LED's
Housing	Formed Aluminum
Orientation	Each lamp tilts and turns, all lamps can tilt 90° - 180° to create down lighting
Lens	Molded 60°
Control	Lamps can be turned on individually

Trailer

Width Across Fenders	78"
Length	138"
Axle	3500 lb
Tires And Wheels	ST205/75D15 load range C
Hitch	2" ball coupler with other options
Draw Bar	3" square tube, 3/16" wall, removable
Weight	3400 lbs
Battery Box	14 ga. formed steel, anti-theft, dual hidden shackle solid security locks
Jacks	(4) swing type, 2000 lb ea., (1) wheel type on draw bar. (2) slide out jacks at rear
Brakes	Surge type hydraulic

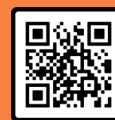
Dimensions



Specifications subject to change any time without notice. Copyright 2023 National Signal, Inc. All rights reserved. Printed in the United States.

2440 Artesia Avenue
Fullerton, CA 92833
United States of America

info@nationalsignalinc.net
www.nationalsignalinc.net
1-888-994-0300



SCAN ME

Access our website by
scanning our QR code